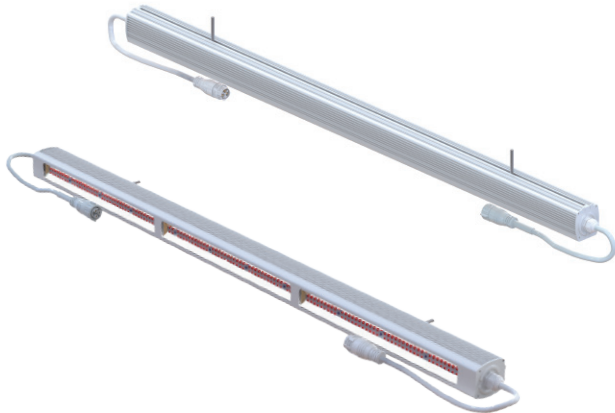
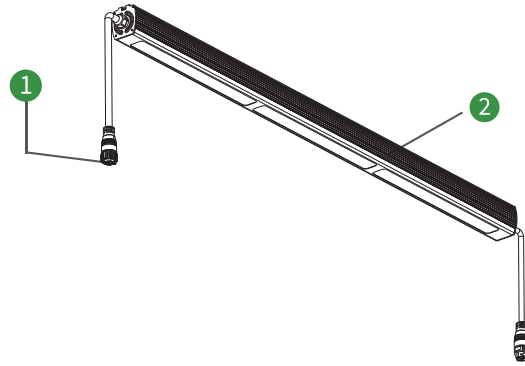


200W LED GROW LIGHT



DETAILS

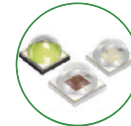


PARAMETER

- Size: 47.4"x2.6"
- Efficacy: 3.0 μmol/J
- AC Input Power: 200W
- AC Input Voltage: 100-277V AC, 50/60Hz
- IP Rating: IP66
- Warranty: 5 Year Standard Warranty



1 120-277V InPut



2 Top-Brand LED Chip



3 0-10V Controller Dimming



Energy Saving Design



Smart Over Temperature Protection

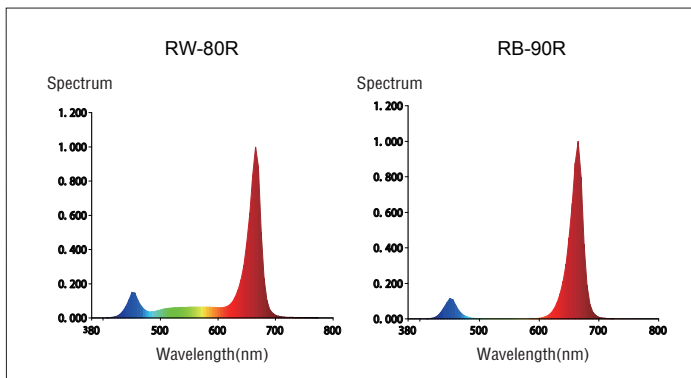


Silent Operation

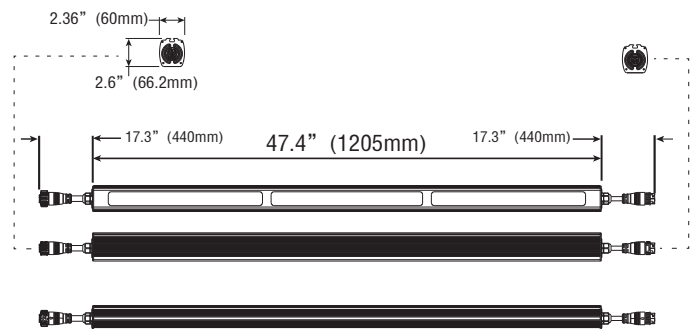


Active Cooling Structure

SPECTRUM



SIZE



Model NO	INPUT	Power(277V)	PPF (360nm-780nm)	Efficacy(PPE)	Dimension
L200-RW-80R	120-277V	200	600	3.0	1205x60x66.2mm(47.4"x2.36"x2.6")
L200-RB-90R	120-277V	200	580	2.9	1205x60x66.2mm(47.4"x2.36"x2.6")